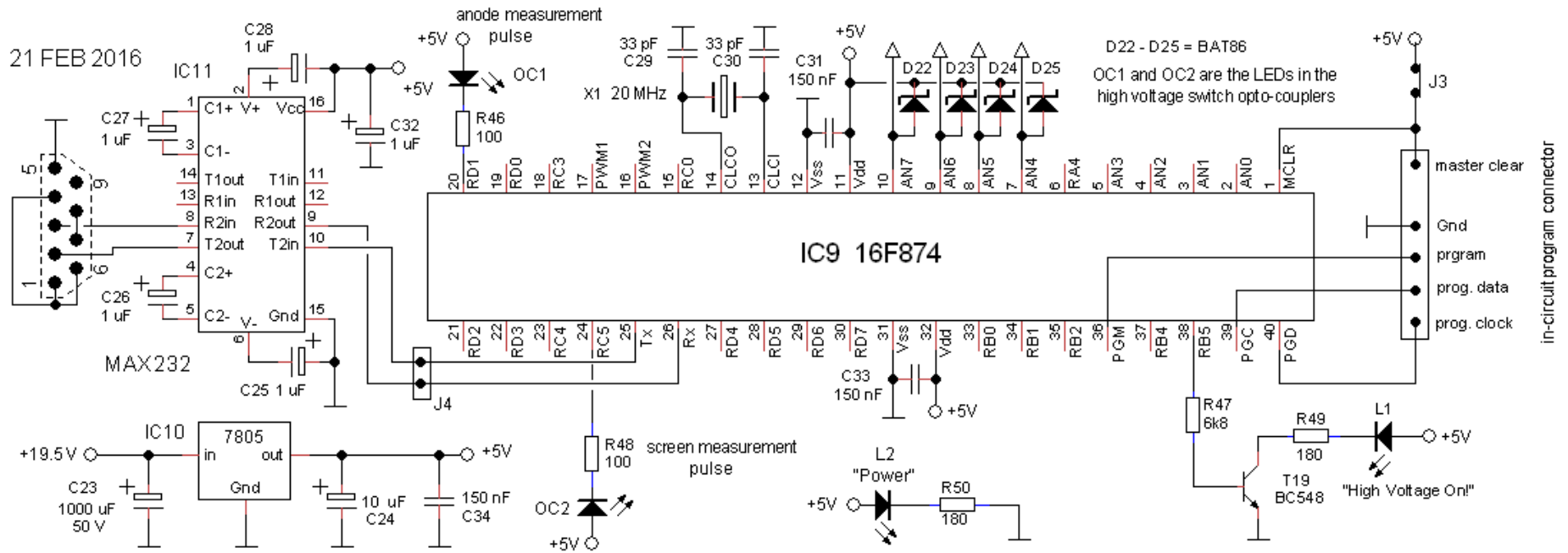


21 FEB 2016



in-circuit program connector