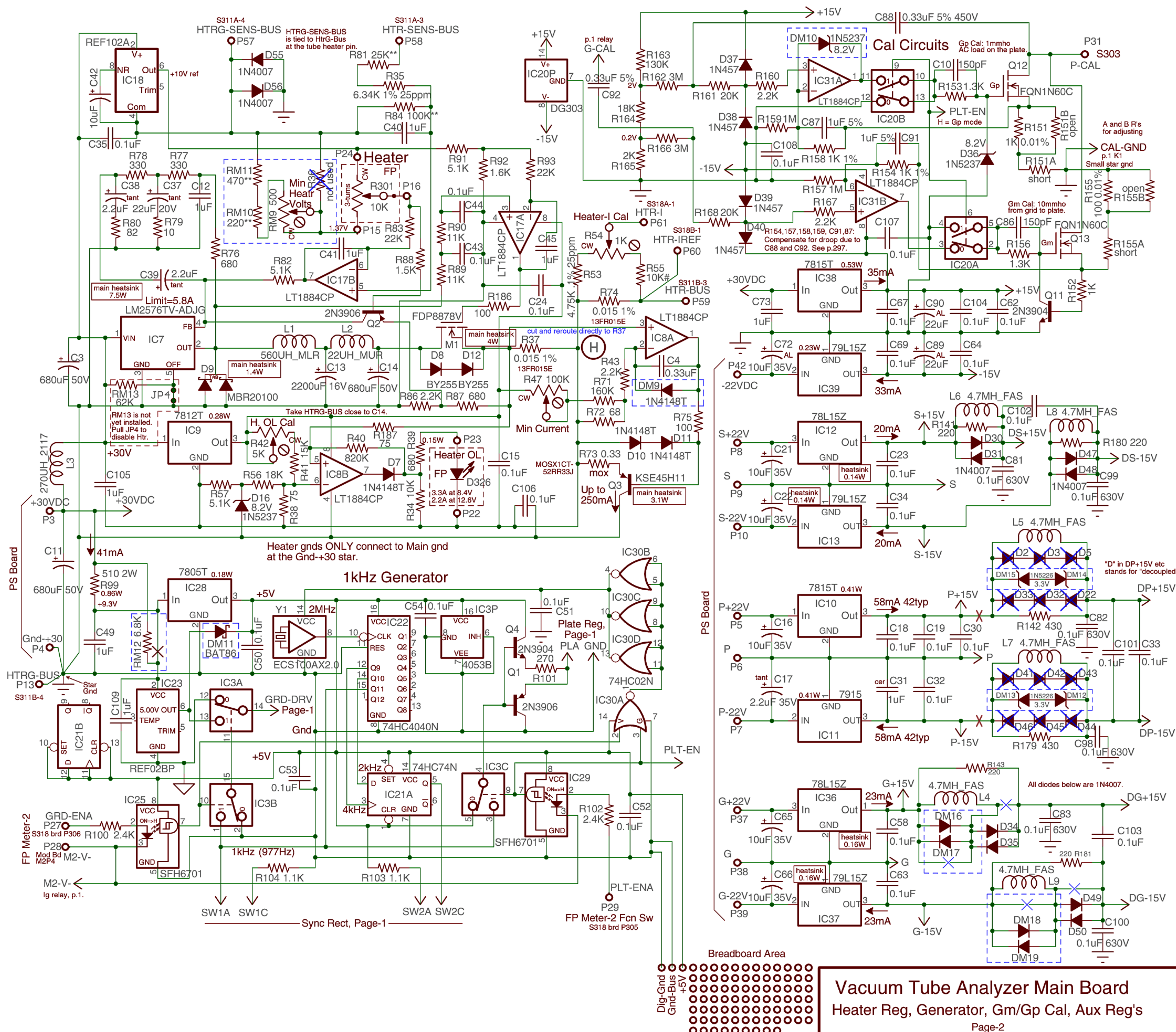


unused circuits  
~~X~~ trace cut or part removed  
kludged ockt (2nd round)  
kludged ockt  
 # 0.1% 10ppm  
 \*\* 1% 10ppm  
 \* To Page-2, Generator

- NOTES:
- WARNING: P and S are plate and screen voltage reference points. Voltages like "P+15V" may be 420V or more. MOST circuits shown here are at VERY DANGEROUS voltage levels.
  - FP = Front Panel.
  - Connections to pin switch buses may attach at any pin switch.
  - M2 and M3 were moved from the PCB to main heatsink.

**Vacuum Tube Analyzer Main Board**  
 Grid, Screen, Plate Regs; Gm/Gp-Detect  
 S. Lafferty, Rev.15, 10/20/17, Page-1



Vacuum Tube Analyzer Main Board  
Heater Reg, Generator, Gm/Gp Cal, Aux Reg's